

Label printer



model STE 104



STE 104 Label printer

Technical specifications

- RESOLUTION
- 203 dpi/8 dots per mm
- PRINT SPEED
- Maximum print speed 5"/127 mm per second
- MAXIMUM PRINT AREA
- Width: 4.09"/104 mm
- Length: 39"/991 mm
- MEDIA SPECIFICATIONS
- Label and liner width: 0.75"/19 mm to 4.25"/108 mm
- Ribbon width: 1.33"/33.8 mm to 4.3"/109.2 mm
- Ribbon length: 244'/74 m
- MEMORY
- 8 MB SDRAM
- 4 MB Flash
- CONNECTIVITY
- Serial RS-232
- USB V1.1
- Dimension: 194(L)x191(P)x254(A) mm
- Weight: 2,1 kg

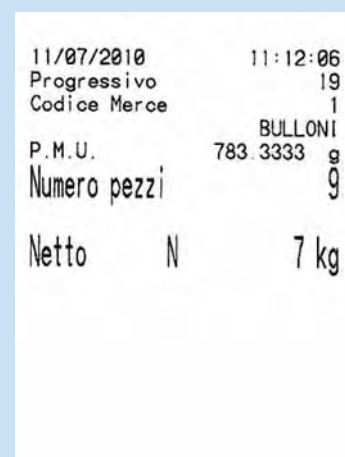
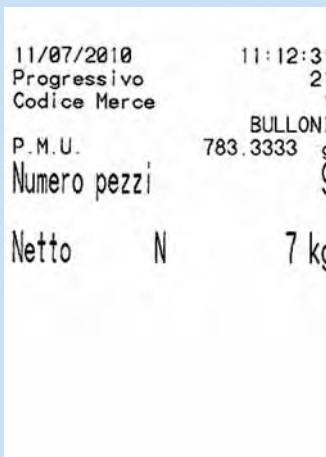
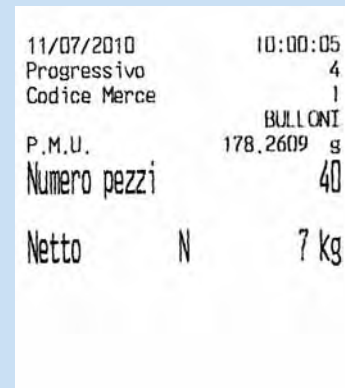
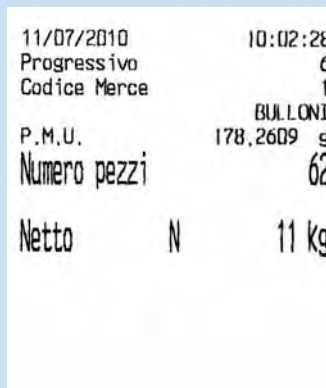
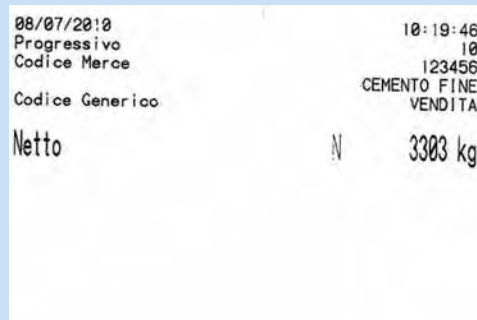
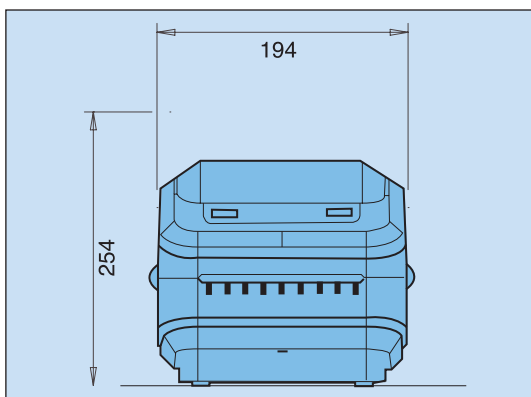
Main features

- Thermal transfer printer, easy to use and easy to load the ribbon
- Allows producing clear prints and labels with a long-lasting image.
- Suitable for any sector, it provides optimal printing speeds and connectivity options

Optional

- Peeler (STE 104S)

The above mentioned features are characteristics of the printer, which will be dimensioned case by case to suit the associated electronic weight indicator.



Print examples



Società Cooperativa Bilanciai Campogalliano
41011 Campogalliano (MO) Italy - Via S. Ferrari, 16
Tel. +39 059 / 89.36.11 - Fax +39 059 / 52.70.79
www.coopbilanciai.it - cb@coopbilanciai.it

Agent / Dealer