

# EV7-S



## 1. Unpacking and Installation

Remove the terminal from the pack along with the CD containing the instructions.

Connect in sequence.

**A.** Weighing platform.

**B.** Any peripheral equipment used (e.g.: PC).

**D.** Power plug with socket and isolator. Check voltage on data plate (either 110-240 Vac or 12 Vdc).

**Mains power version**

Connect in sequence.

**A.** Weighing platform.

**B.** Any peripheral equipment used (e.g.: PC).

**C.** Battery charging low voltage connector. Keep terminal on to recharge quickly.

**D.** Battery charge plug. Check voltage on data plate. **E.** After charging, disconnect the battery charger (C and D) and protect the socket with the screw cap (E).

**Battery version**

Press **ON/OFF** to power the terminal.

\* Not included

## 2. Display and keyboard

Stable weight

Center zero

Tare

Tare entered via keyboard

Gross weight

Net weight

Weighing range indications for multiextension instruments (ME)

Unit of measurement of weight displayed

kg, g, lb

Weight reset

Tare entry and cancellation

Tare display

Printing and/or transmission start

Double function selection

Enter or confirm

ON/OFF

## DECLARATION OF CONFORMITY

N° EV7-S\_100101

We: **SOCIETÀ COOPERATIVA BILANCI AI A.R.L.**  
Via S. Ferrari, 16  
41011 Campogalliano (MO)- Italy

hereby declare under our responsibility that

the product: **Electronic weighing terminal EV7-S  
and its optional equipment**

described in this declaration conforms to the following

Directive EMC 2004/108/EEC  
directives: **Electrical Safety Directive 2006/95/EC  
Weighing Instrument Directive 2009/23/EEC**

**Conformity is guaranteed by compliance with the following**

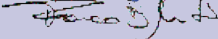
standards: EN 61000-6-3, EN 61000-6-4  
EN 60950  
EN 45501

The terminal is also suitable for the creation of non-automatic weighing instruments approved with the "CE Type Approval Certificate" in conformance with the requirements of Directive 2009/23/EEC (formerly 90/384).

The product bears CE marking.

Campogalliano, this day **1-1-2010**

Division Management  
**Franco Brighenti**



## WARNINGS



Do not install in places with potentially explosive gas or dust;



- This electrical or electronic device cannot be disposed of as solid urban waste.
- It must be disposed of separately.



Consult the Operation, Maintenance and Installation instructions in the CD for further information.



Società Cooperativa Bilanciai Campogalliano - 41011 Campogalliano (MO) Italy  
Via S. Ferrari, 16 - Tel. +39 (0)59 893 611 - Fax +39 (0)59 527 079  
Web: <http://www.coopbilanciai.it> - E-mail: [cb@coopbilanciai.it](mailto:cb@coopbilanciai.it)  
Customer Assistance Service Tel. +39 (0)59 893 612 - Fax +39 (0)59 527 294

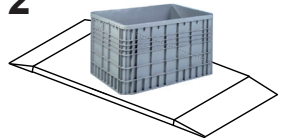
## 3. Weighing with tare entry

1



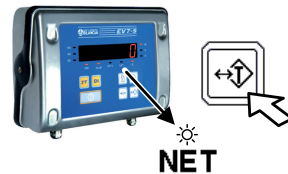
Reset the terminal.

2



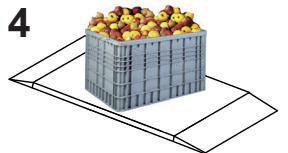
Load the empty container (tare)

3



Acquire the tare

4



Load the product

5



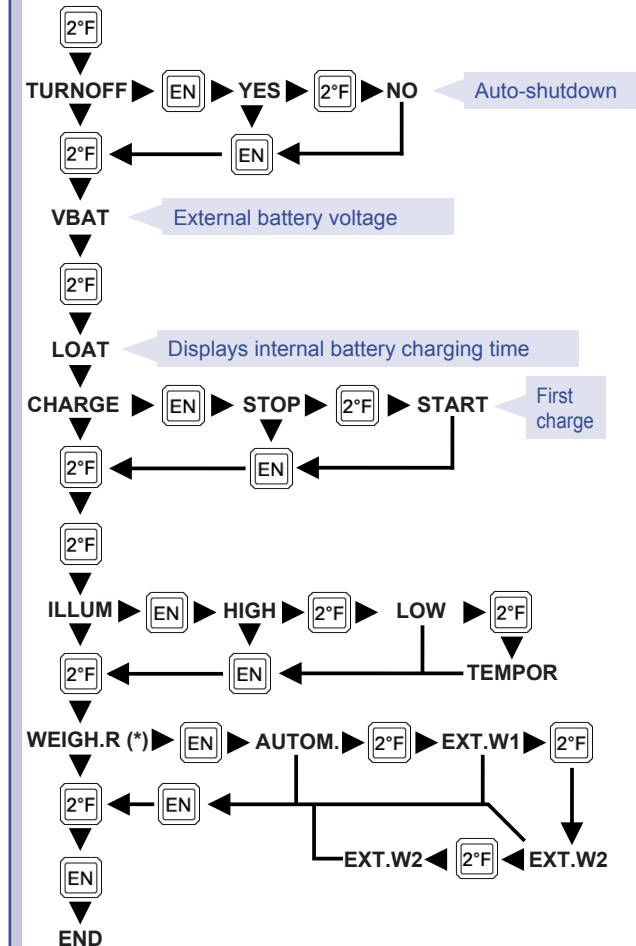
Read the net weight

6



Transmit data to the PC

## 4. Setup



(\*) Selection of the weighing range